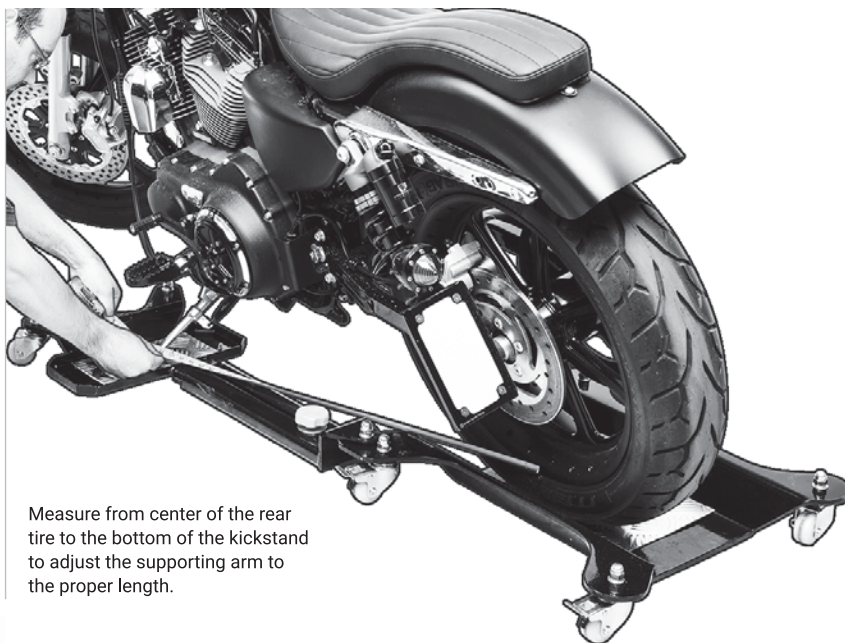


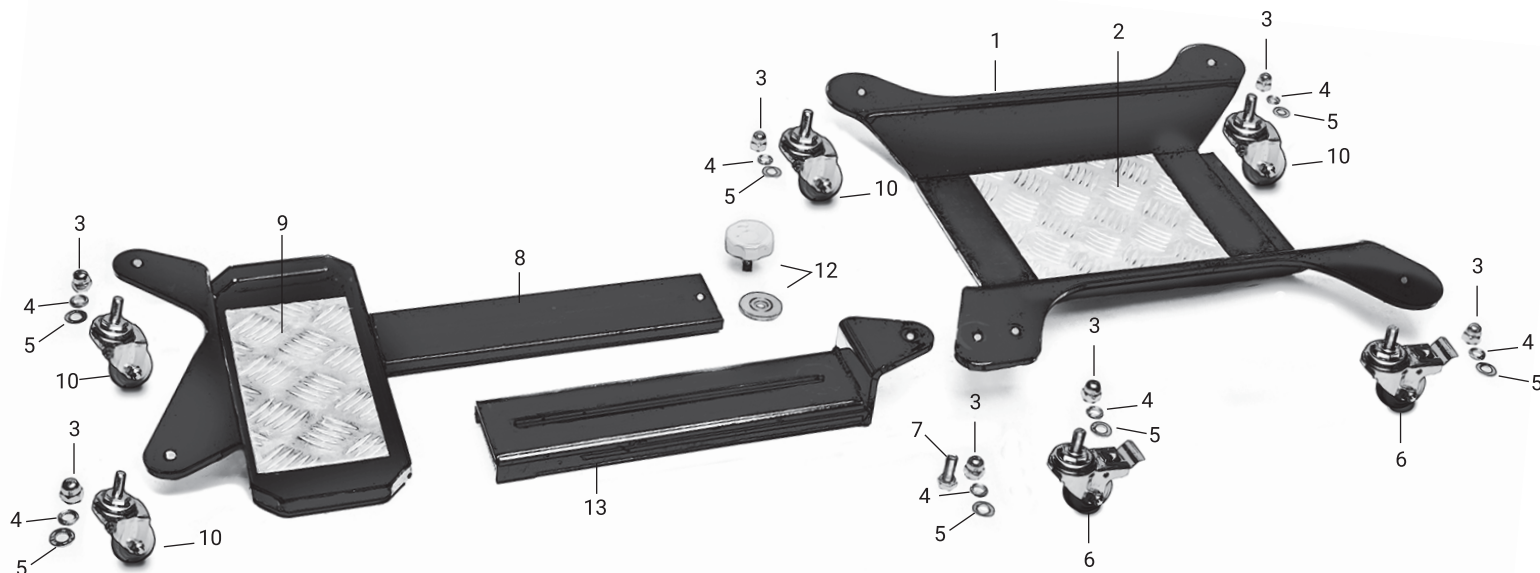
ADJUSTABLE MOTORCYCLE DOLLY

SPECIFICATIONS

#	DESCRIPTION	QTY
1	STEEL BASE	1
2	BASE ALUMINUM PLATE	1
3	NUT WITH CAP	7
4	SPRING WASHERS	7
5	FLAT WASHER	7
6	WHEELS WITH BRAKE	2
7	M12 BOLT	1
8	STEEL SUPPORTING ARM	1
9	SUPPORTING ARM ALUMINUM PLATE	1
10	WHEELS WITHOUT BRAKE	4
11	ADJUSTING KNOB AND WASHER	1 EA.
12	STEEL ADJUSTING ARM	1



Measure from center of the rear tire to the bottom of the kickstand to adjust the supporting arm to the proper length.



ANY QUESTIONS?

BikeMaster® 4900 Alliance Gateway Freeway, Fort Worth, TX 76177
 Tel: (877) 848-1320 - Fax: (817)-258-9055
 Email: info@bikemaster.com - bikemaster.com